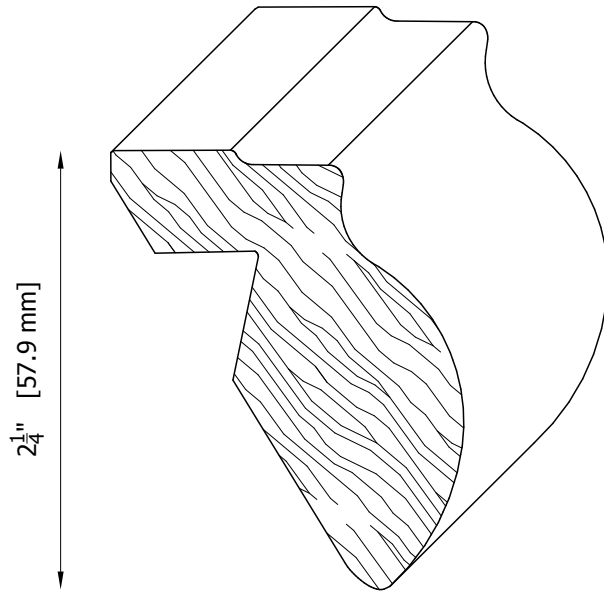


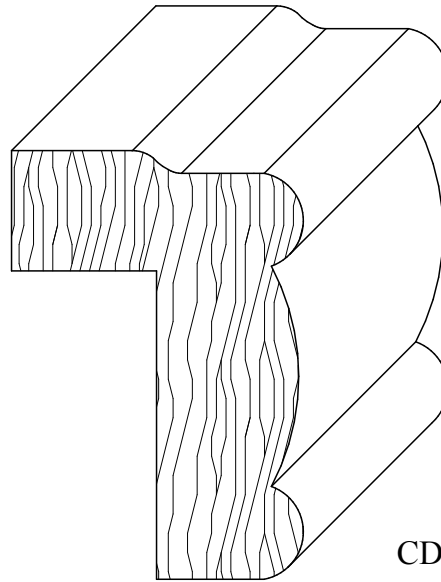
# DRM UNDERVALANCE MOULDING PATTERNS



CDU 102

W:  $2 \frac{11}{16}$ " [68.0 mm]  
T:  $1 \frac{1}{16}$ " [26.67 mm]

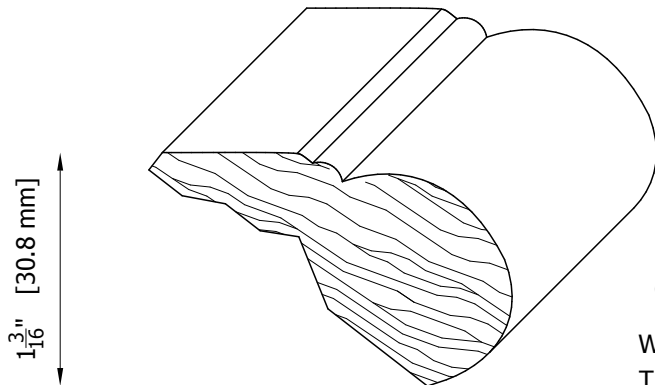
$1 \frac{13}{16}$ " [46.6 mm]



CDU 107

W:  $2 \frac{1}{4}$ " [56.56 mm]  
T:  $1 \frac{1}{2}$ " [38.50 mm]

$1 \frac{1}{2}$ " [38.5 mm]

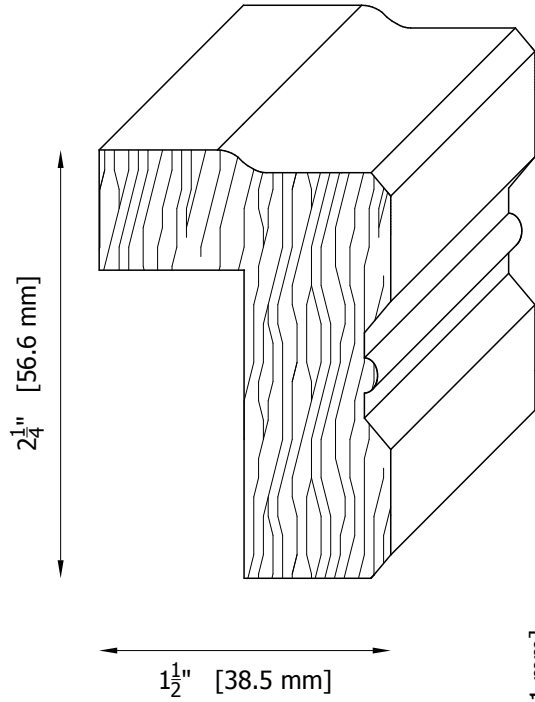


CDU 192

W: 2" [50.80 mm]  
T:  $\frac{7}{8}$ " [22.22 mm]

$1 \frac{7}{8}$ " [47.9 mm]

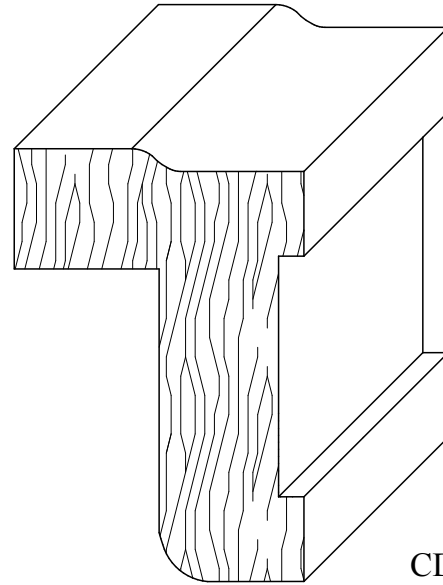
# DRM UNDERVALANCE MOULDING PATTERNS



CDU 126

W:  $2 \frac{1}{4}$ " [56.6 mm]

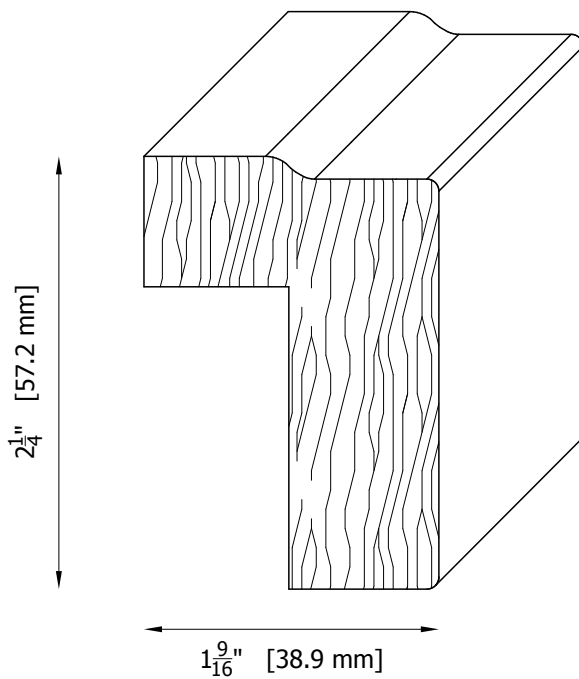
T:  $1 \frac{1}{2}$ " [38.5 mm]



CDU 187

W:  $2 \frac{1}{4}$ " [57.14 mm]

T:  $1 \frac{1}{2}$ " [38.18 mm]

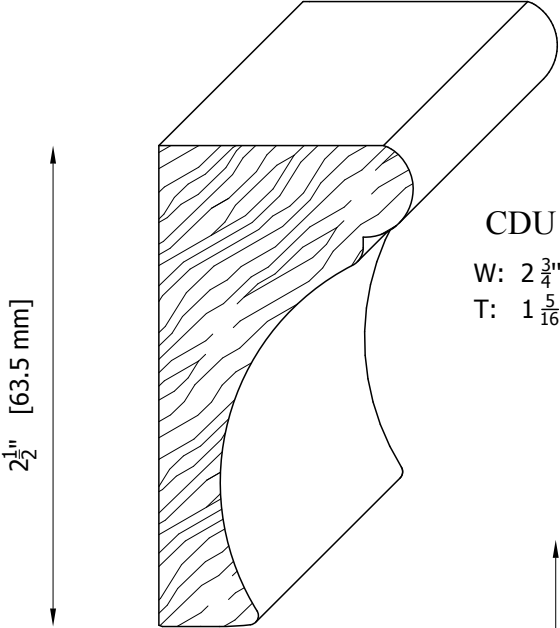


CDU 130

W:  $2 \frac{1}{4}$ " [57.15 mm]

T:  $1 \frac{9}{16}$ " [38.95 mm]

# DRM UNDERVALANCE MOULDING PATTERNS

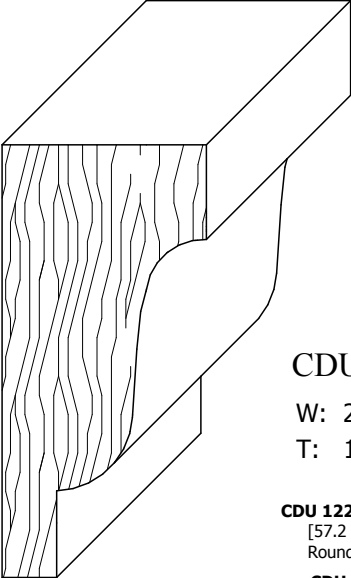


CDU 139

W:  $2 \frac{3}{4}$ " [69.7 mm]  
 T:  $1 \frac{5}{16}$ " [33.9 mm]

$1 \frac{5}{16}$ " [33.5 mm]

$2 \frac{1}{4}$ " [57.2 mm]



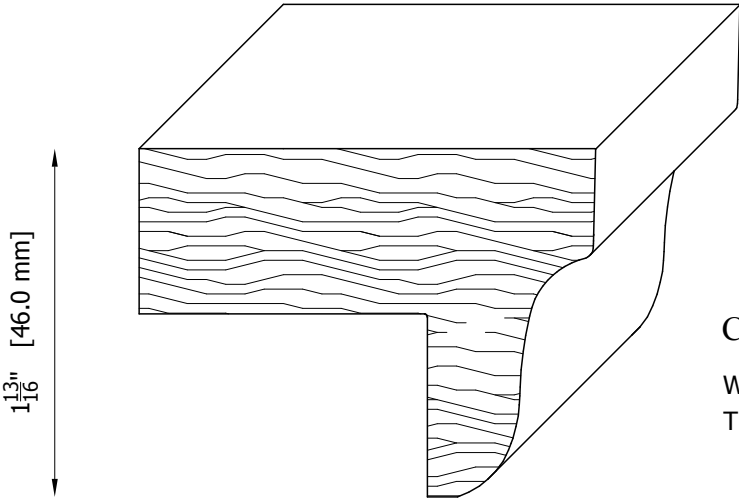
CDU 122

W:  $2 \frac{1}{4}$ " [57.2 mm]  
 T:  $1 \frac{1}{16}$ " [27.0 mm]

**CDU 122-A** W:  $2 \frac{1}{4}$ " x  $1 \frac{1}{16}$ "  
 [57.2 x 27.0 mm]  
 Round Shoulder

**CDU 194** W:  $1 \frac{15}{16}$ " x  $1 \frac{3}{16}$ "  
 [48.8 x 26.6 mm]

$1 \frac{1}{16}$ " [27.0 mm]



CDU 106

W:  $2 \frac{3}{8}$ " [60.30 mm]  
 T:  $1 \frac{3}{4}$ " [46.00 mm]

$1 \frac{3}{16}$ " [46.0 mm]

$2 \frac{3}{8}$ " [60.3 mm]