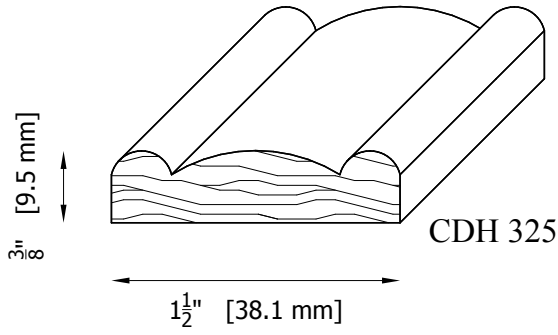


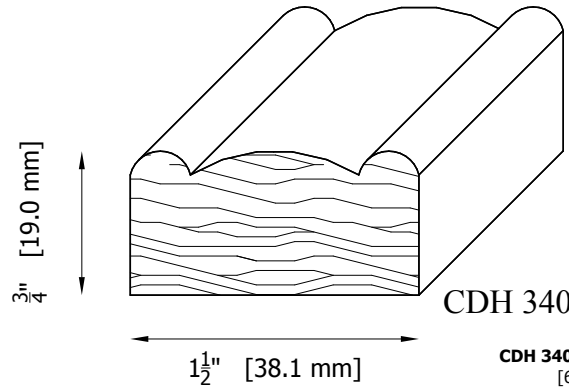
DRM CHAIR MOULDING PATTERNS



CDH 325-A W: $2 \frac{3}{8}" \times \frac{3}{8}"$
[61.0 x 10.0 mm]

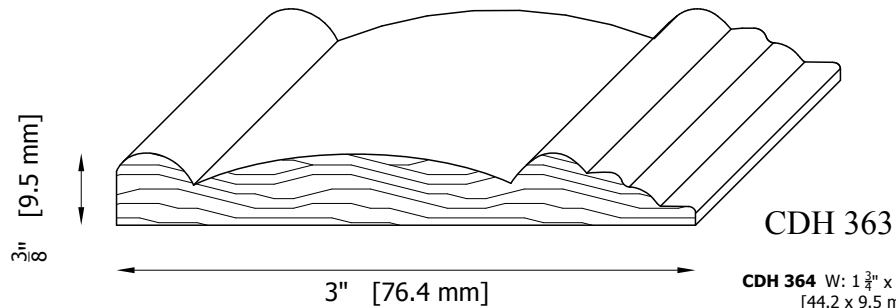
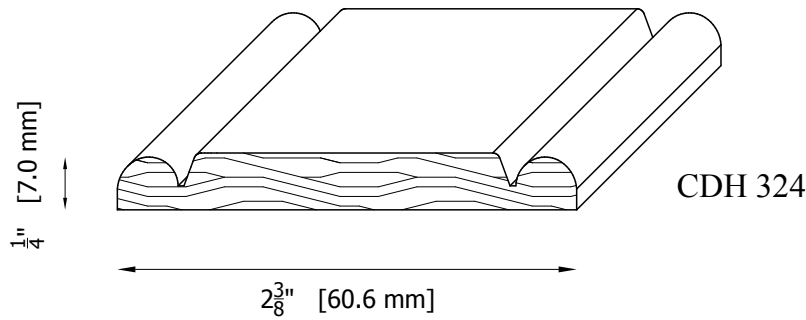
CDH 325-B W: $3 \frac{1}{8}" \times \frac{3}{8}"$
[79.4 x 10.0 mm]

CDH 326 W: $6" \times 1 \frac{1}{16}"$
[152.4 x 27.0 mm]



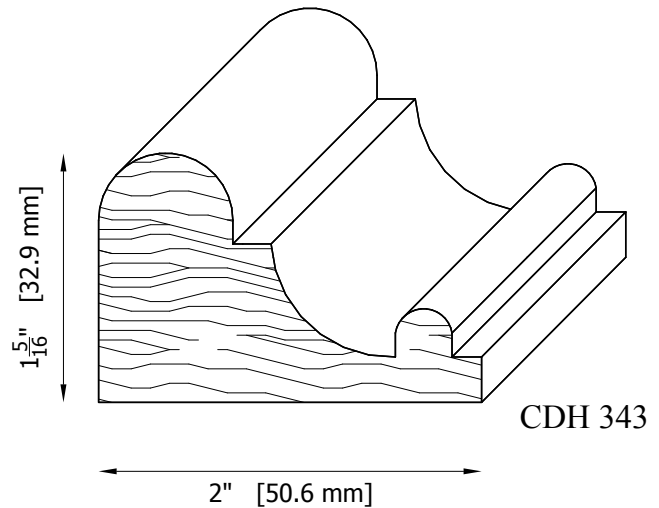
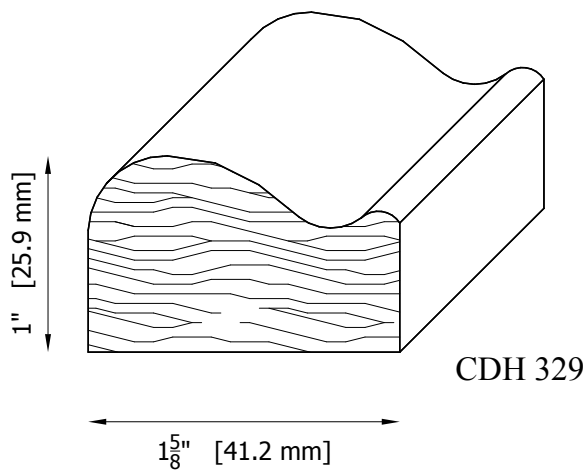
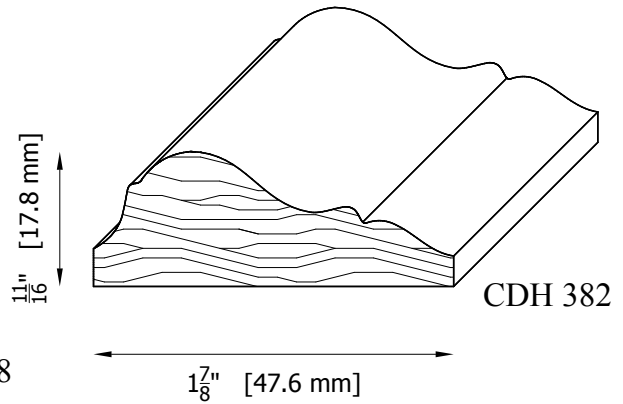
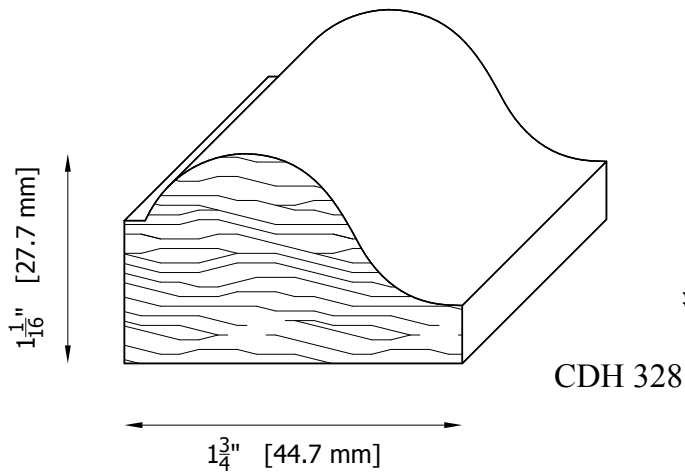
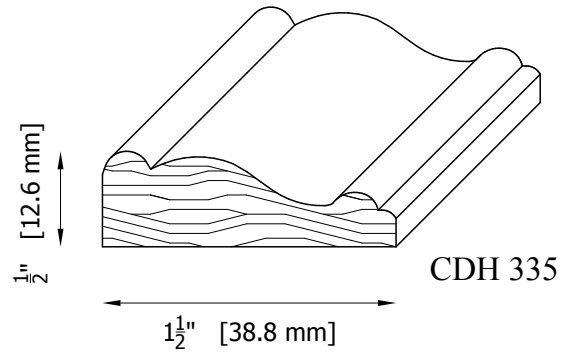
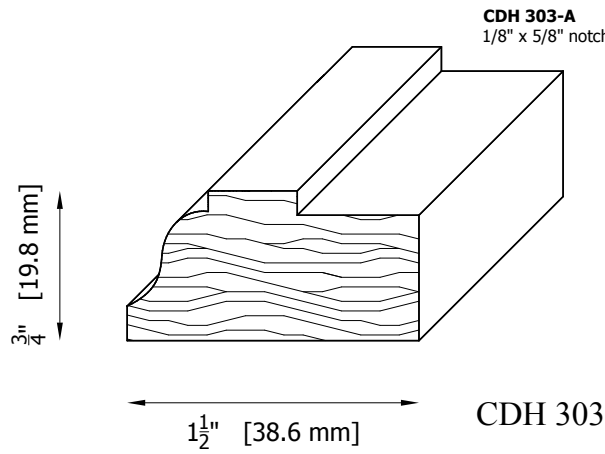
CDH 340-A W: $2 \frac{1}{2}" \times \frac{13}{16}"$
[64.0 x 21.0 mm]

CDH 341 W: $2 \frac{1}{8}" \times \frac{3}{8}"$
[53.6 x 9.5 mm]

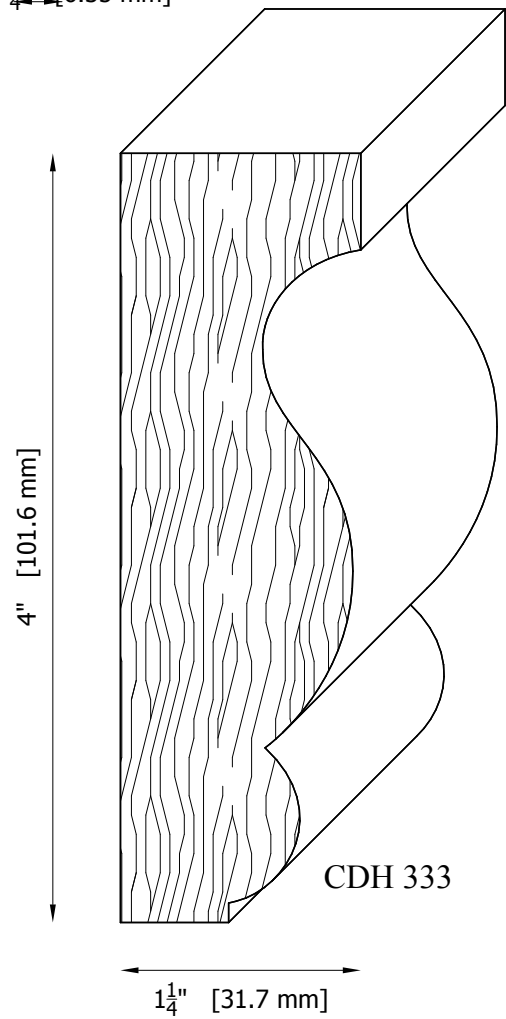
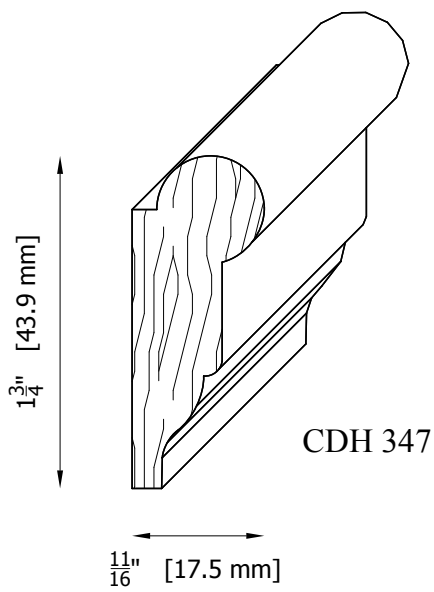
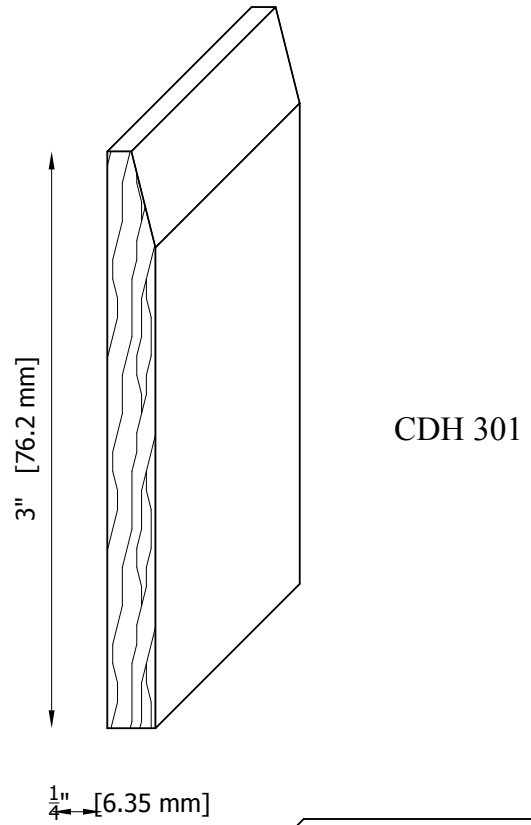
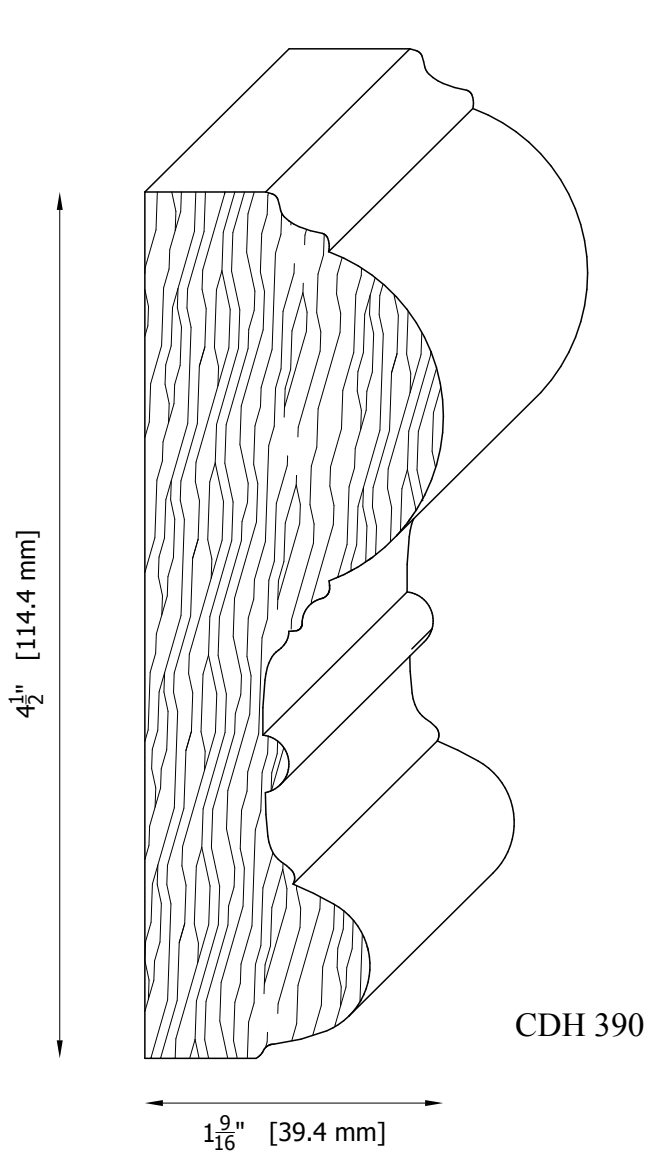


CDH 364 W: $1 \frac{3}{4}" \times \frac{3}{8}"$
[44.2 x 9.5 mm]

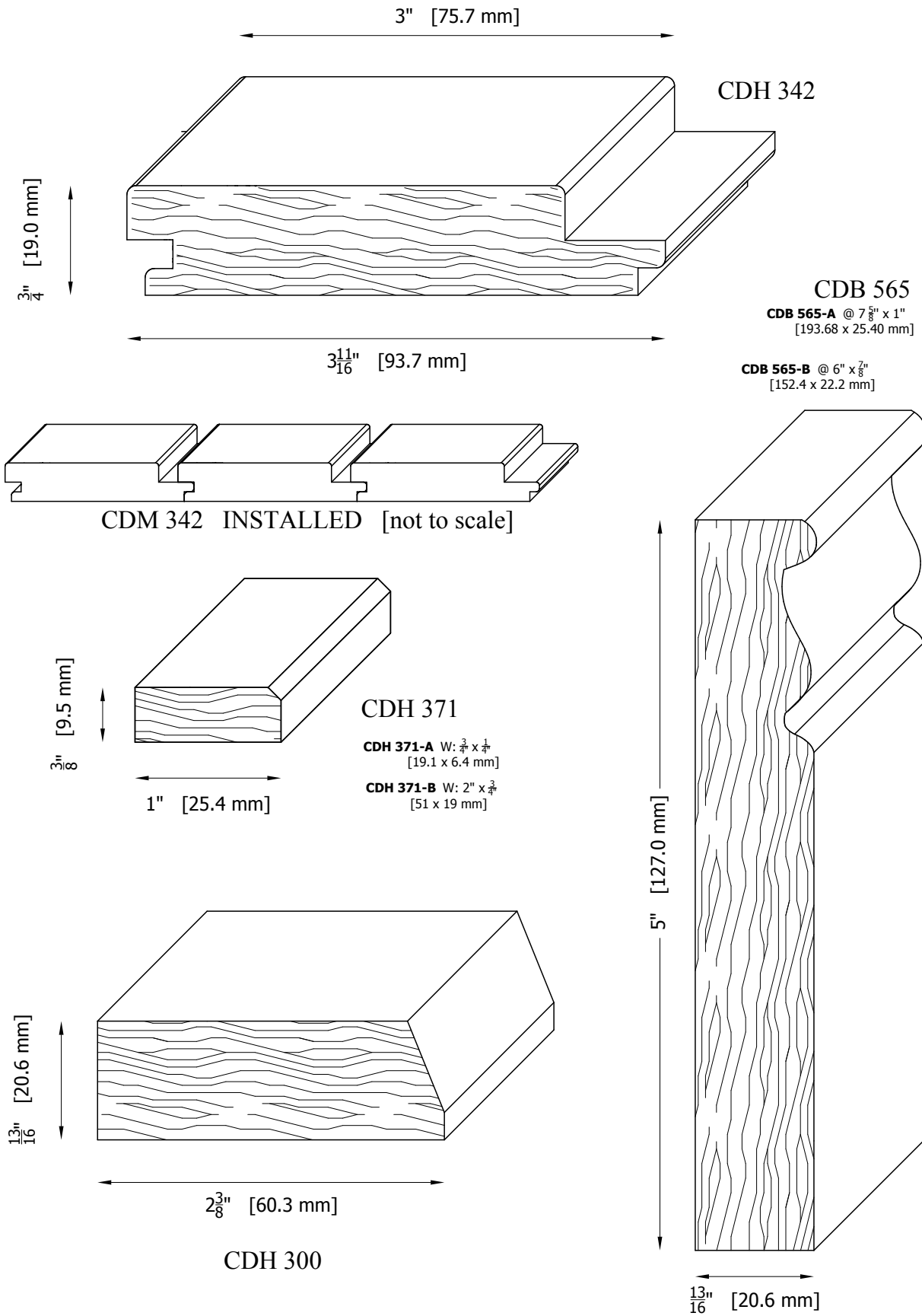
DRM CHAIR MOULDING PATTERNS



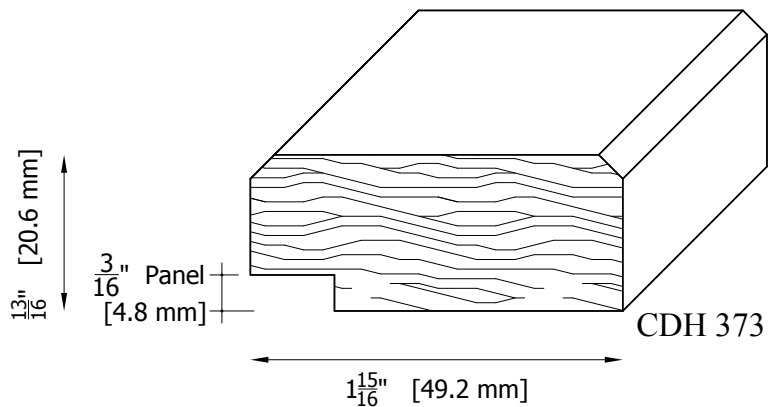
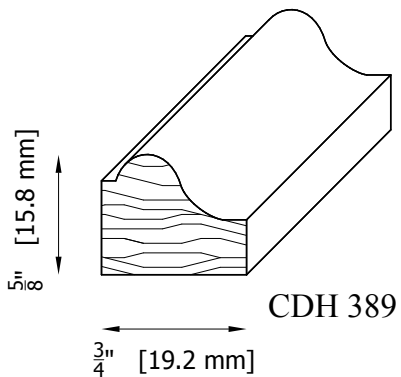
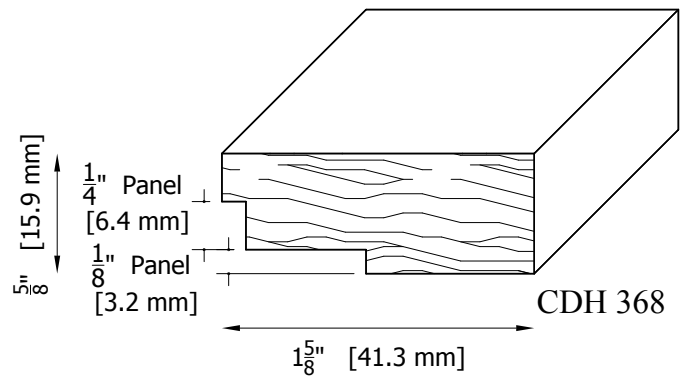
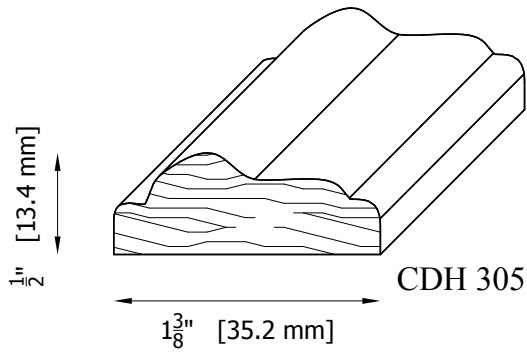
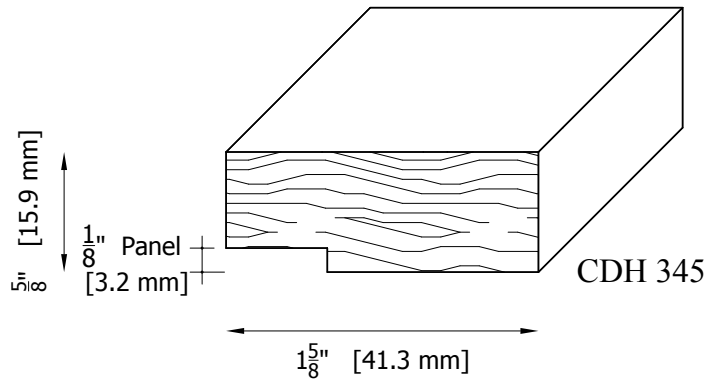
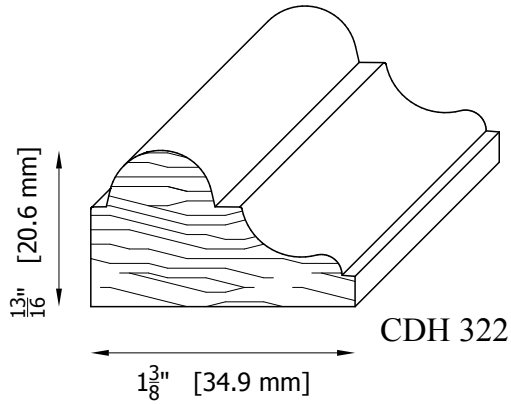
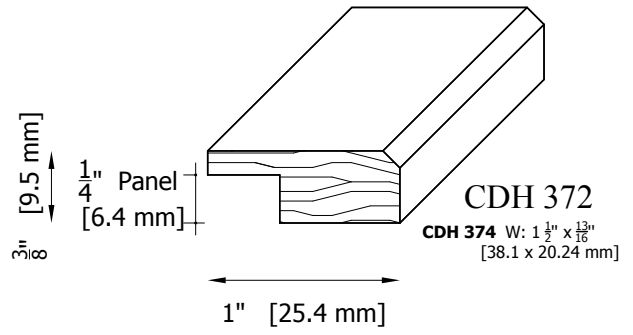
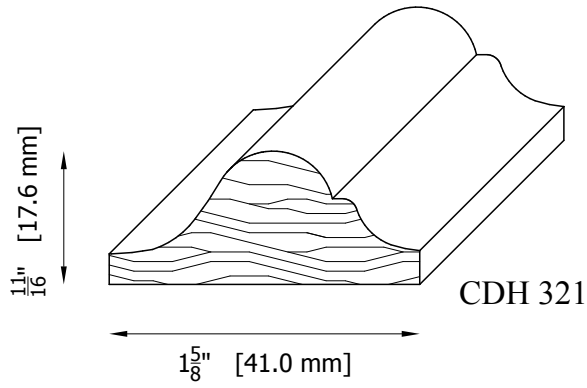
DRM CHAIR MOULDING PATTERNS



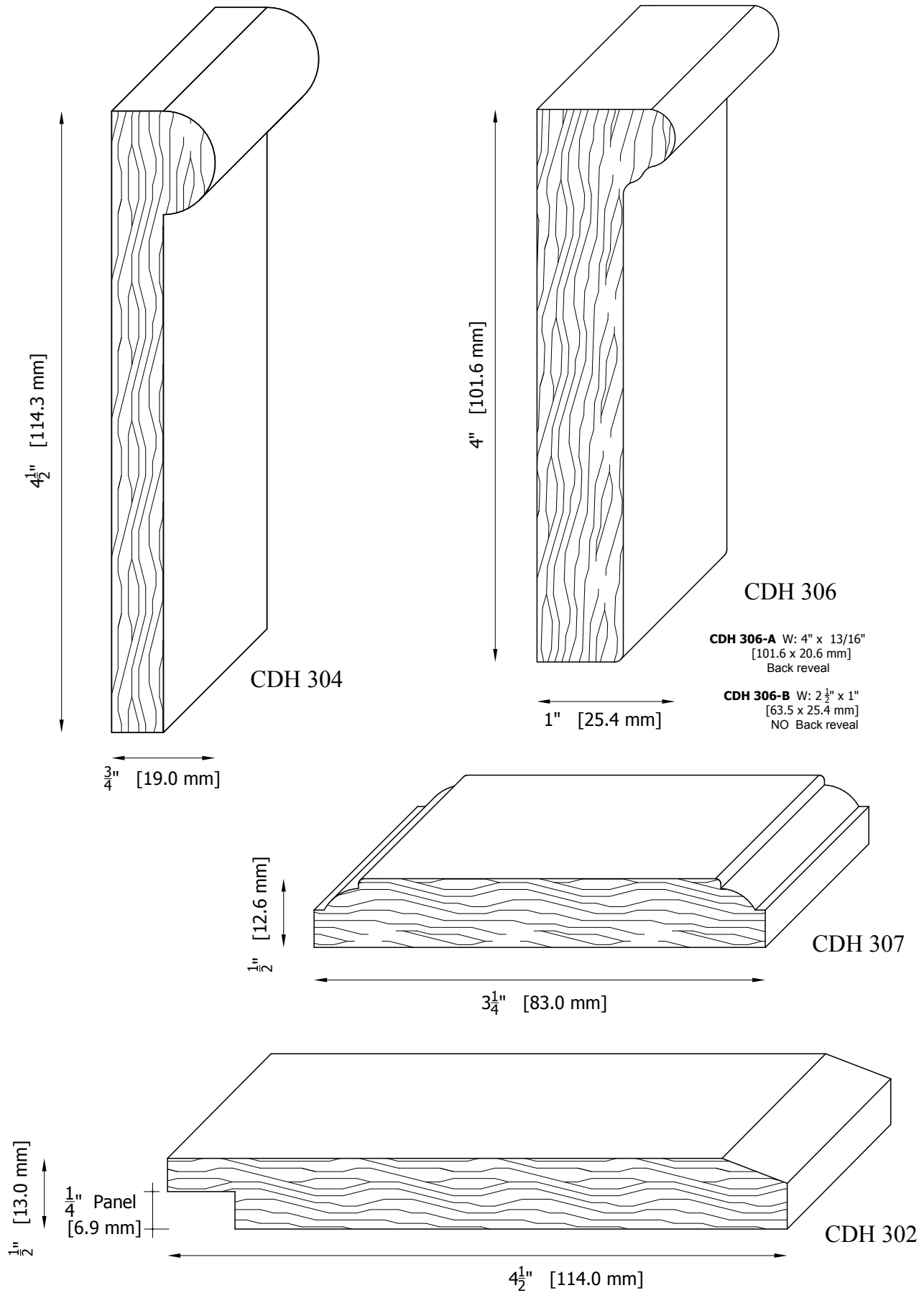
DRM CHAIR MOULDING PATTERNS



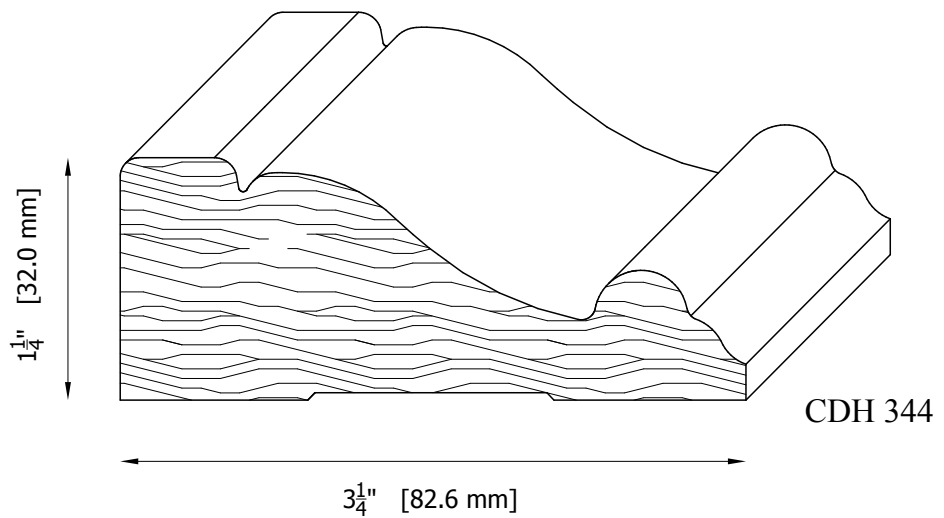
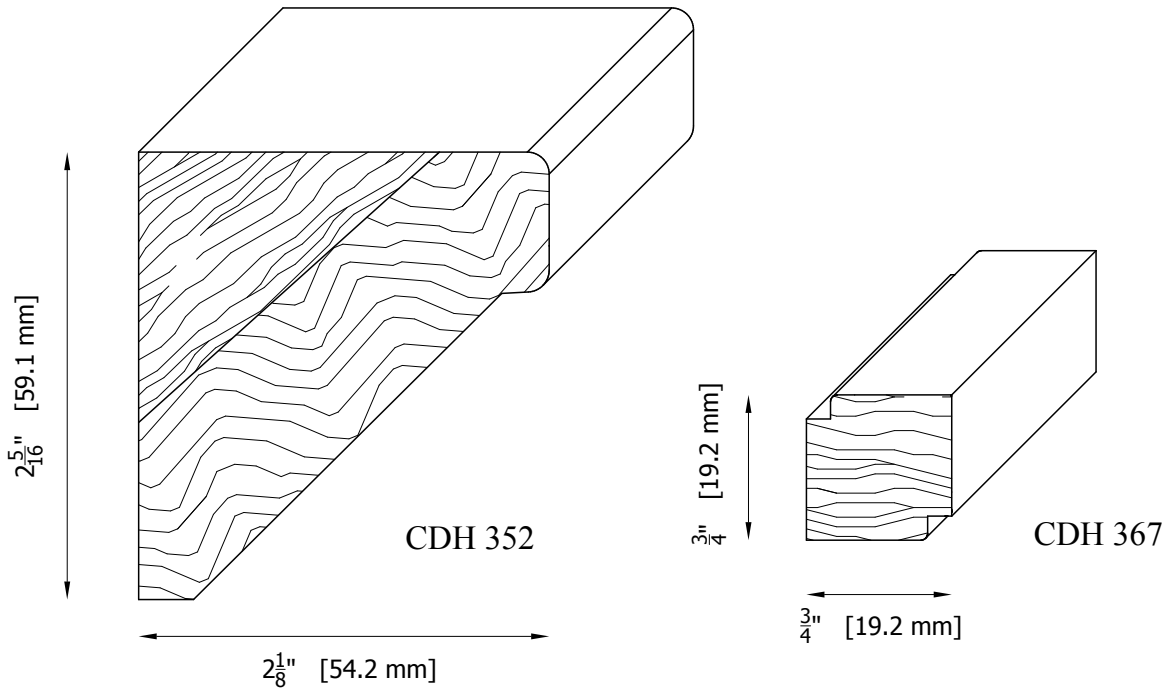
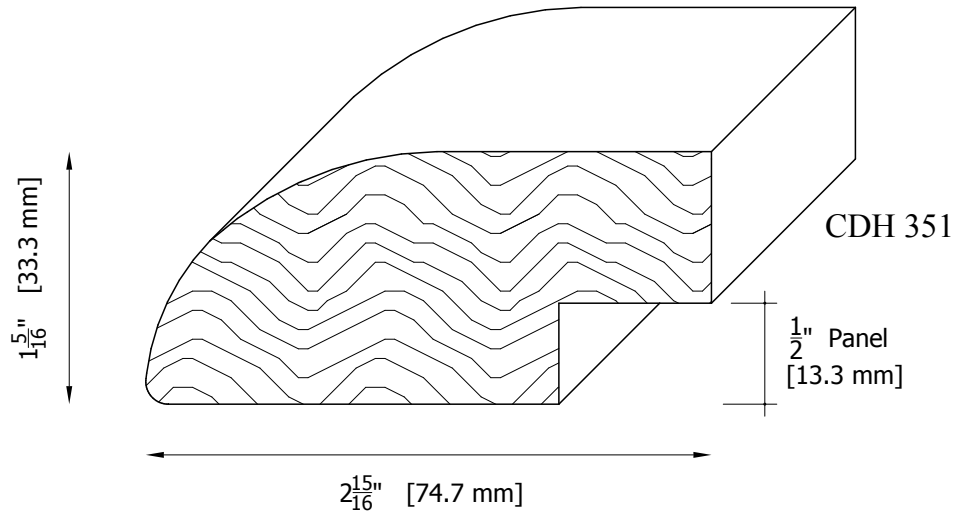
DRM CHAIR MOULDING PATTERNS



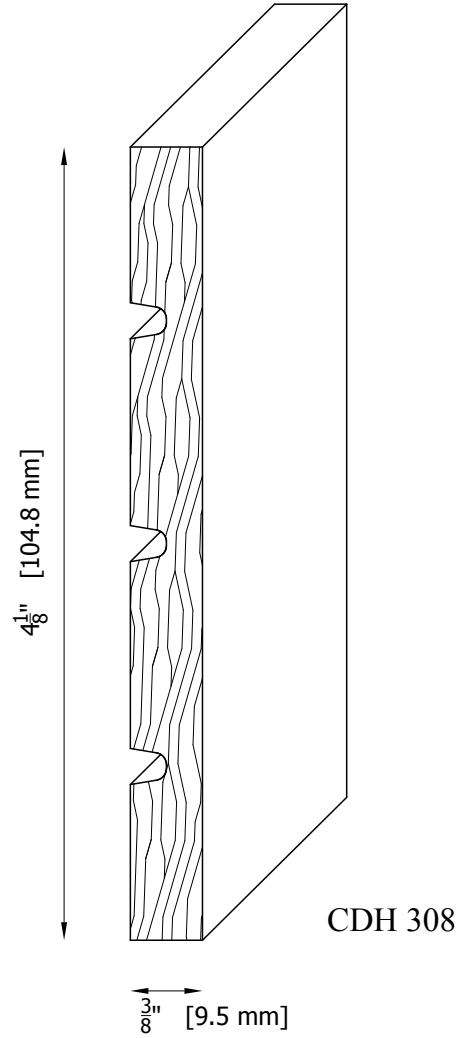
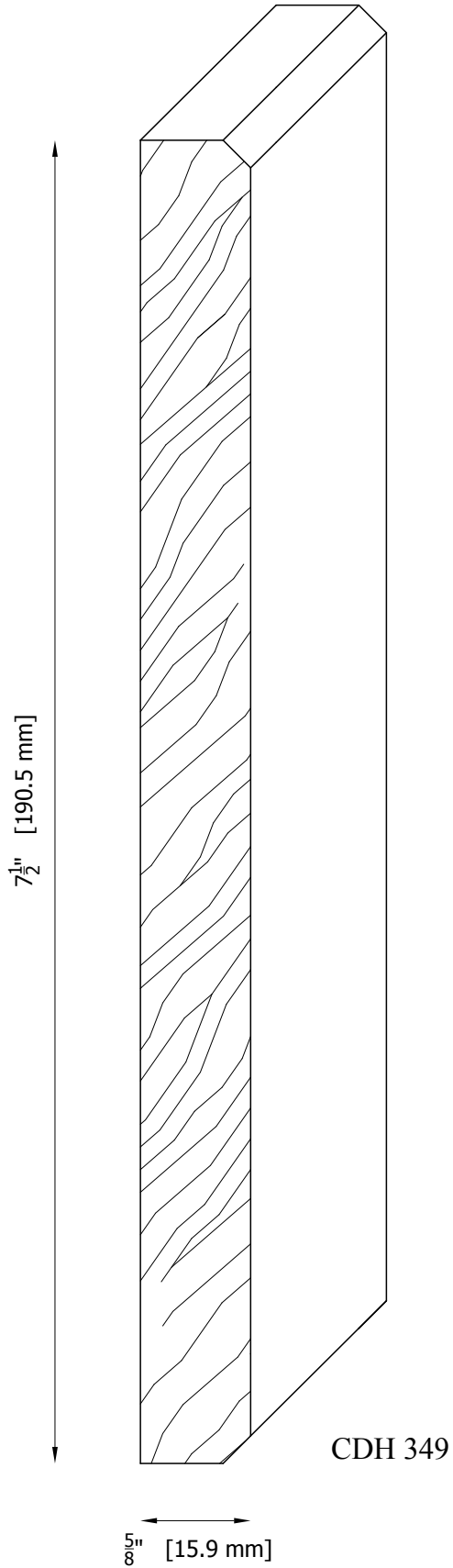
DRM CHAIR MOULDING PATTERNS



DRM CHAIR MOULDING PATTERNS



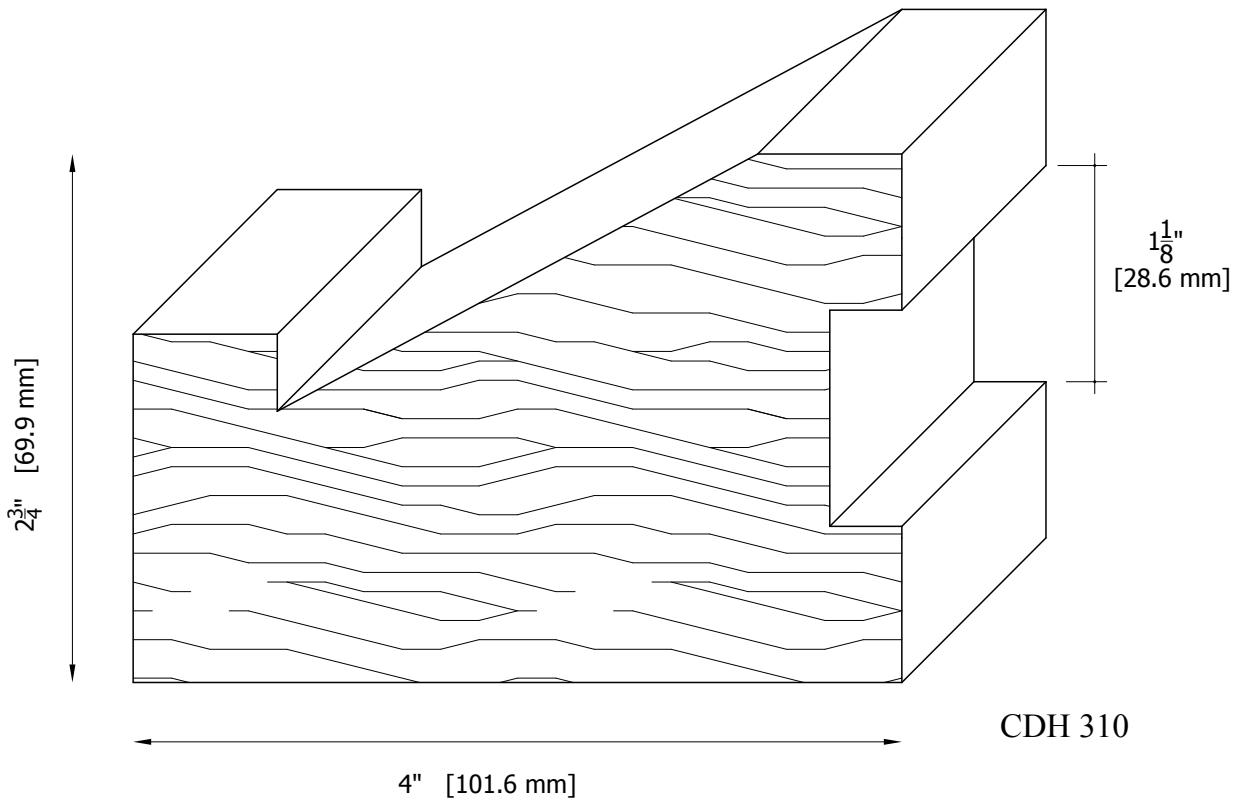
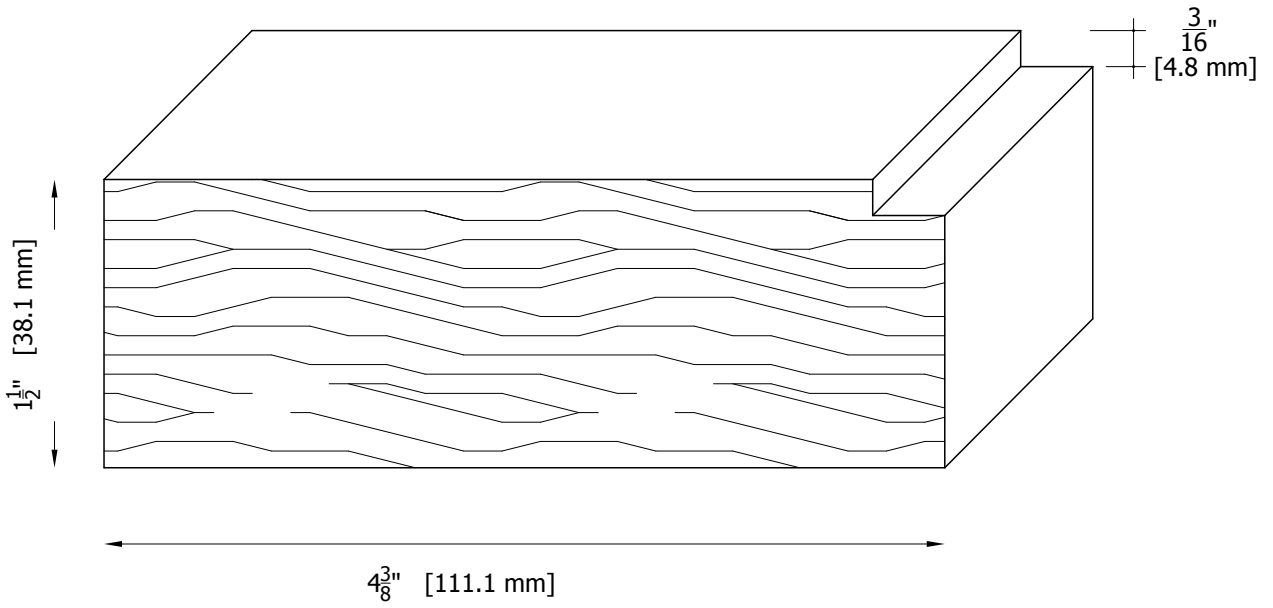
DRM CHAIR MOULDING PATTERNS



DRM CHAIR MOULDING PATTERNS

CDH 348

CDH 348-A W: $5\frac{5}{8}$ " x $1\frac{1}{2}$ "
[142.9 x 38.1 mm]



CDH 310

DRM CHAIR MOULDING PATTERNS

