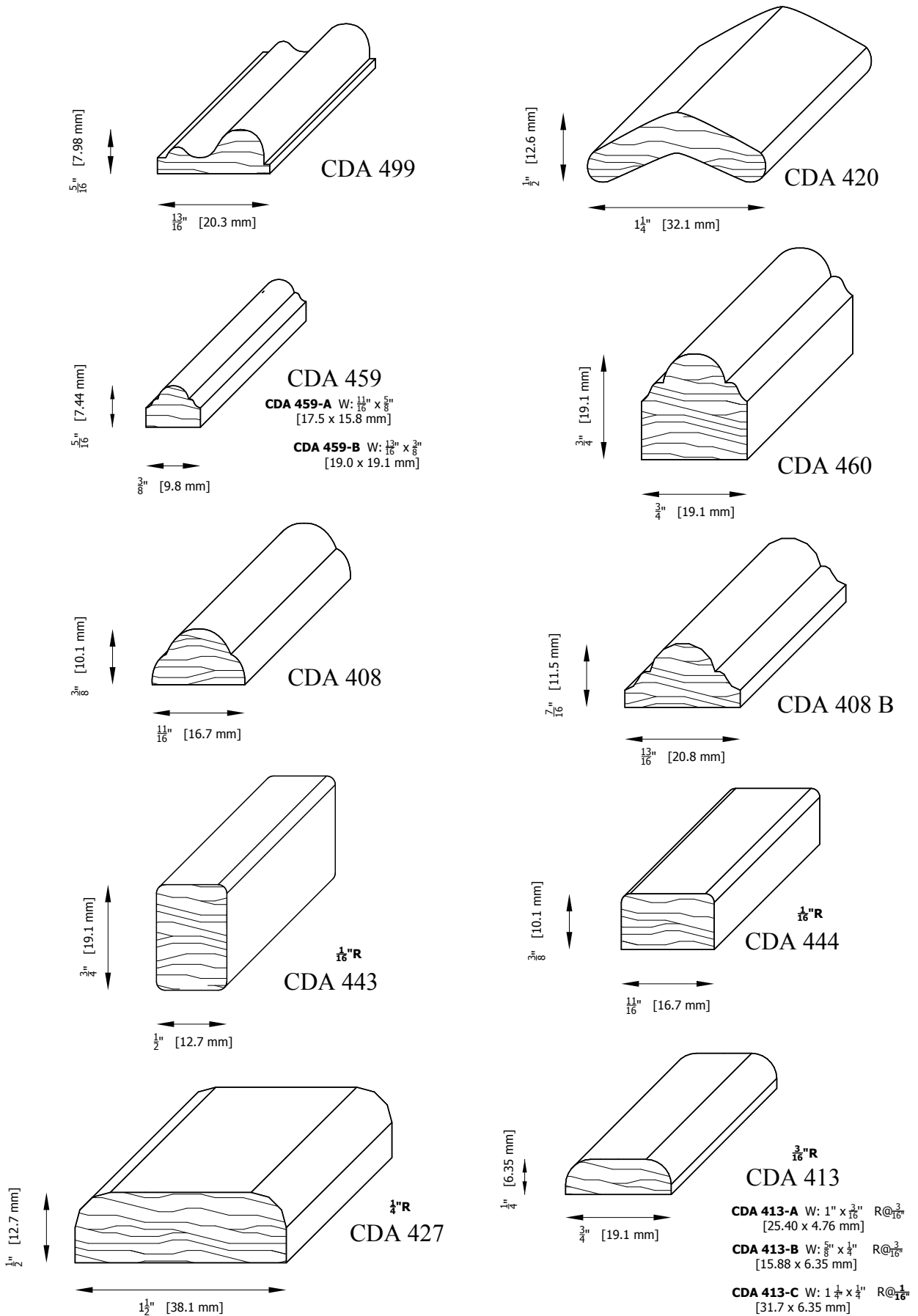
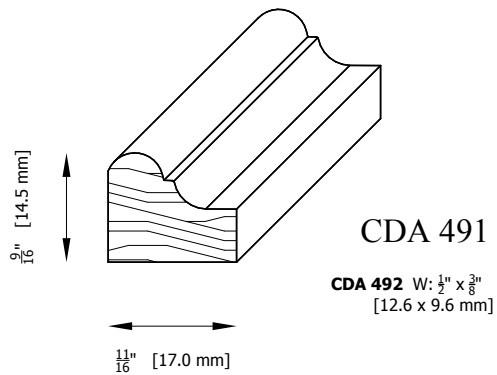
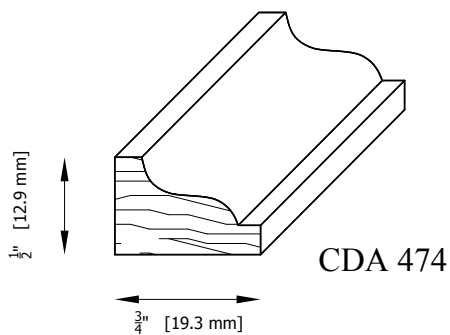
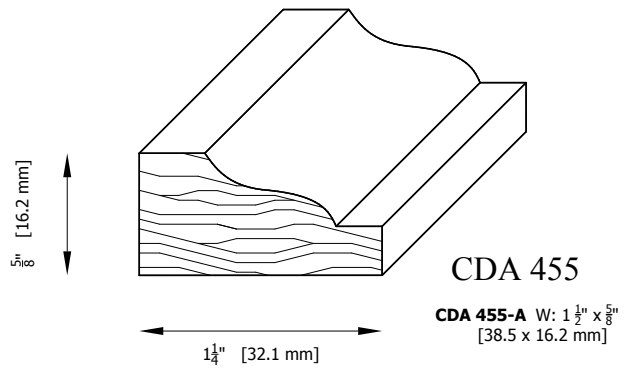
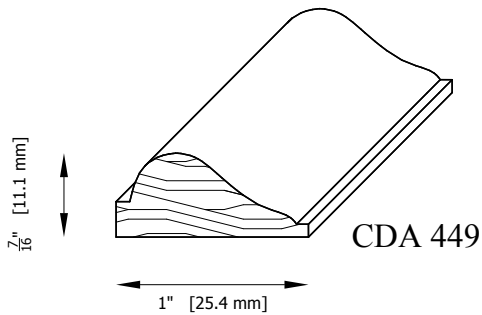
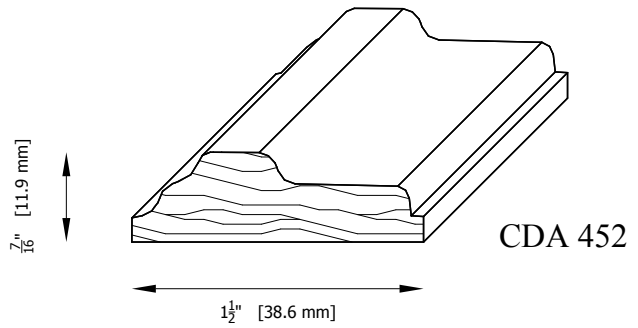
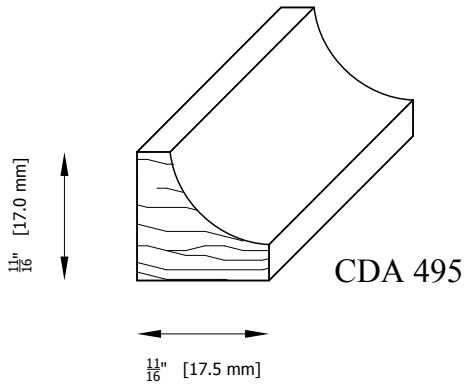
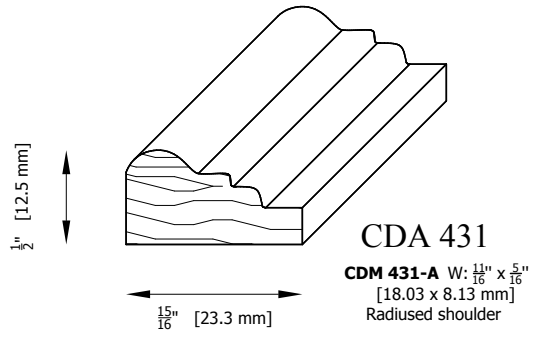
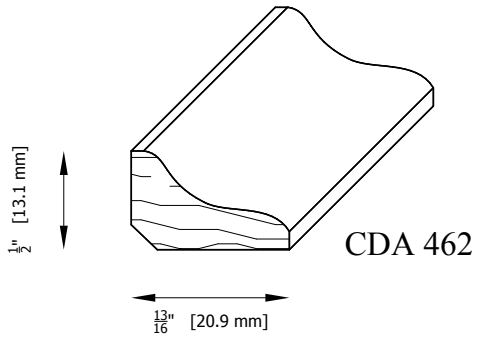


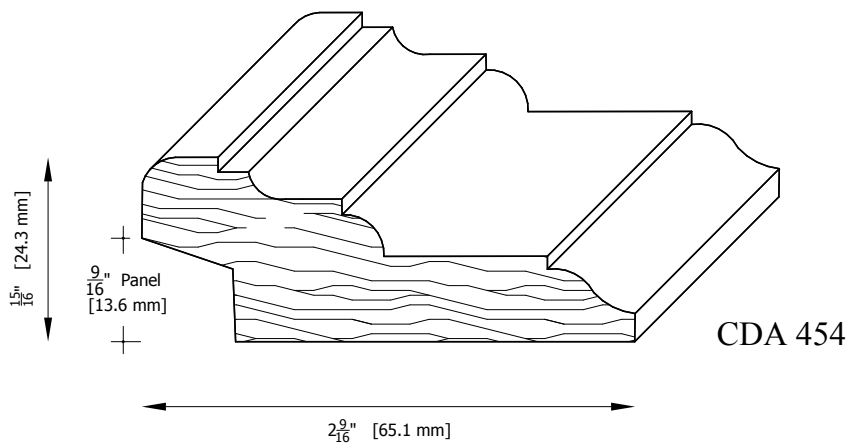
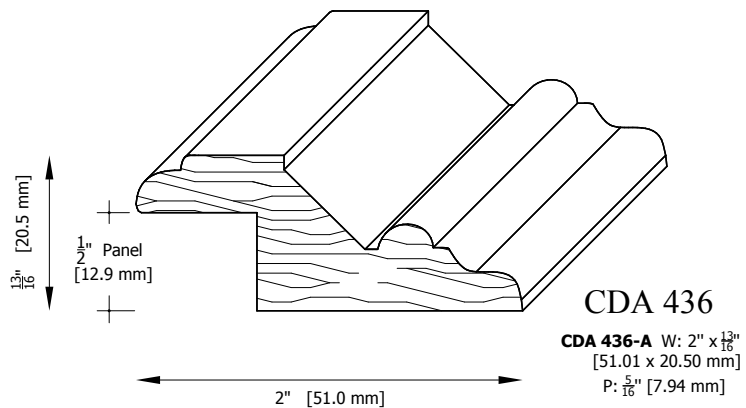
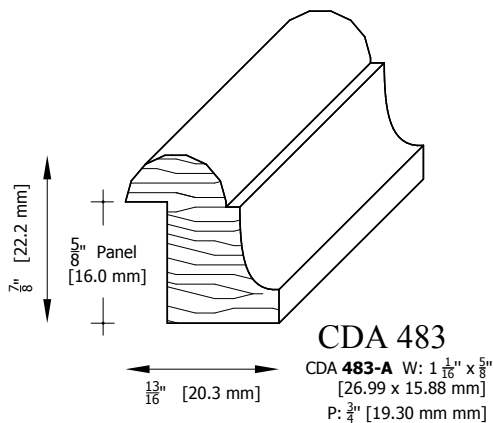
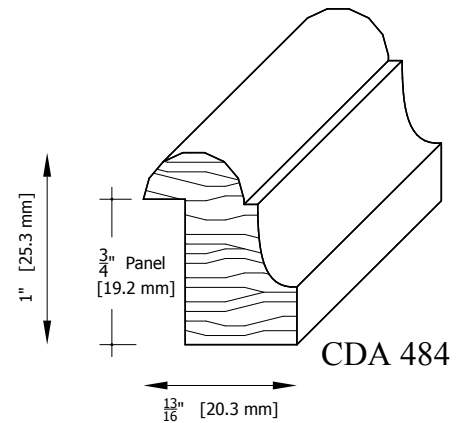
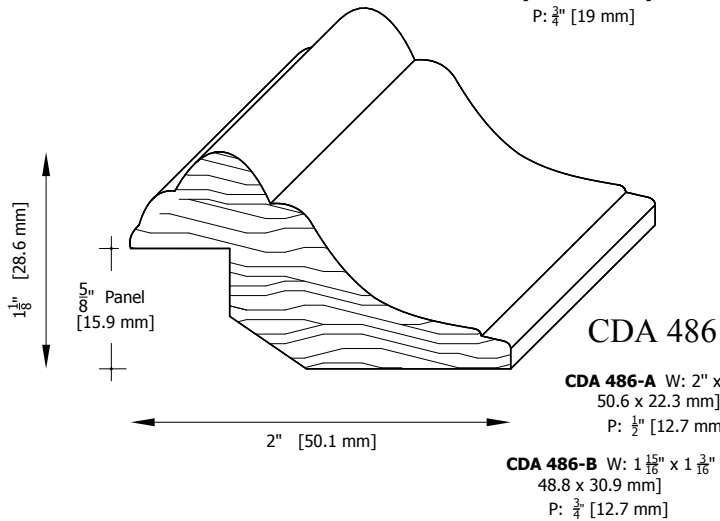
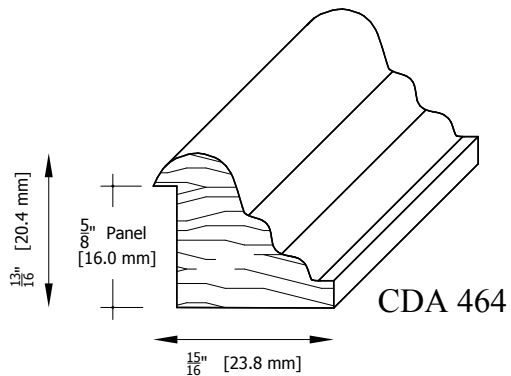
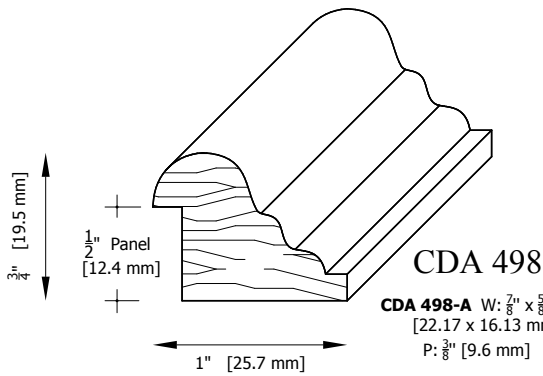
DRM CAPS MOULDING PATTERNS



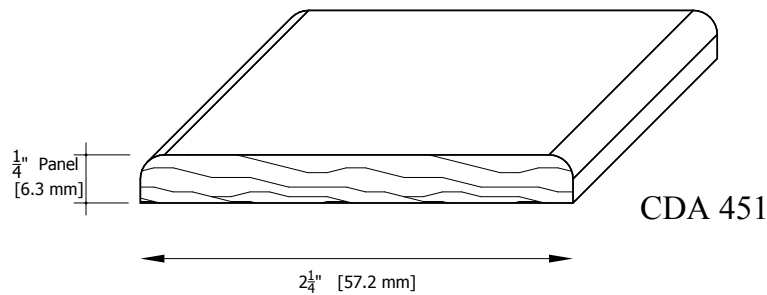
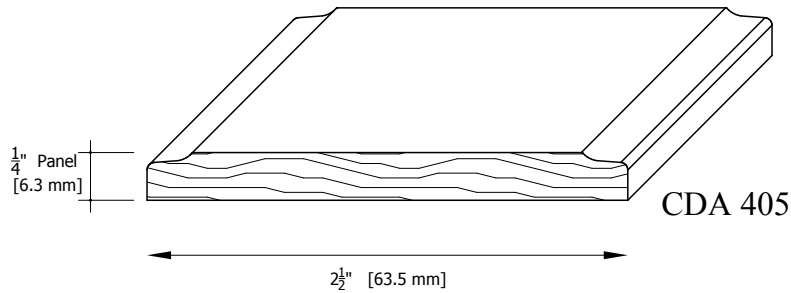
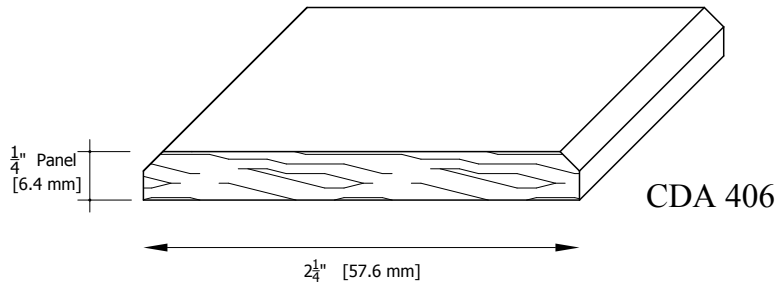
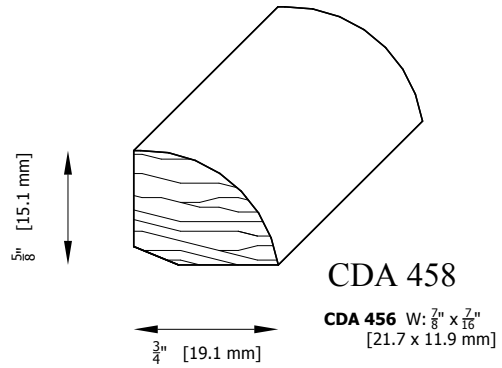
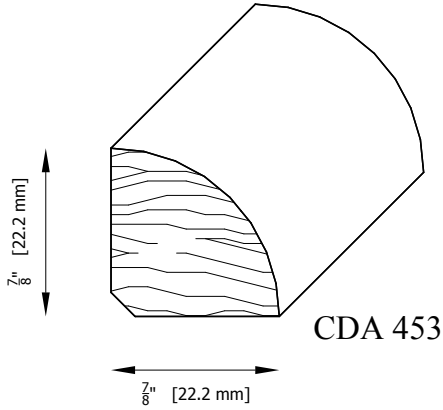
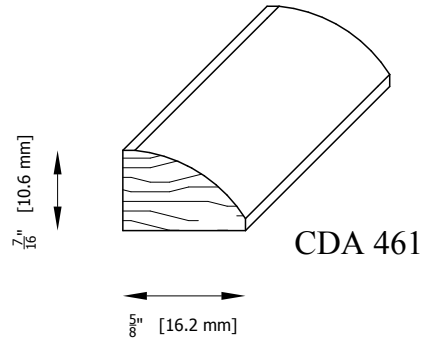
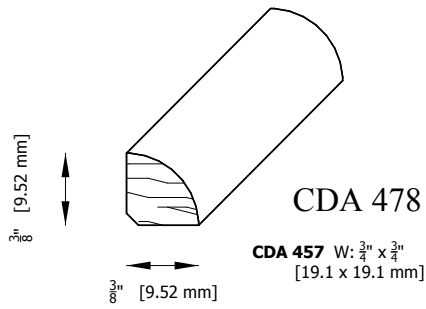
DRM CAPS MOULDING PATTERNS



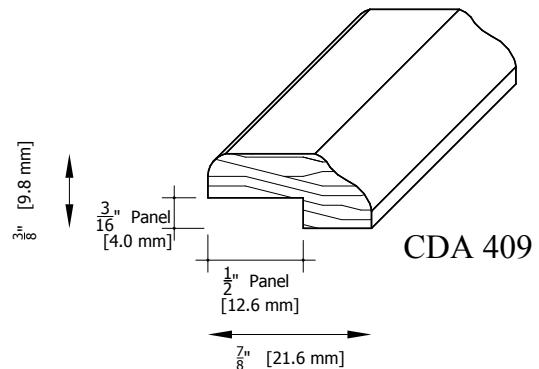
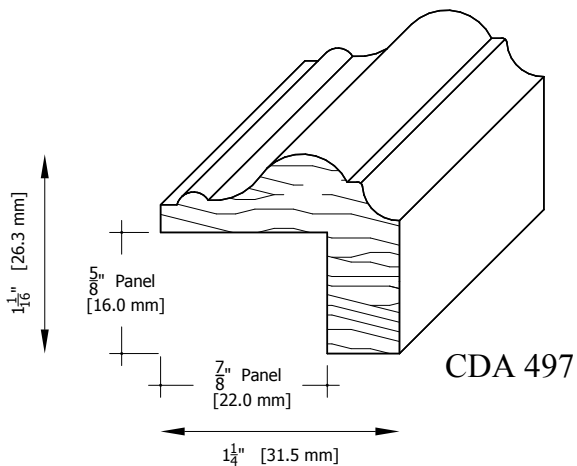
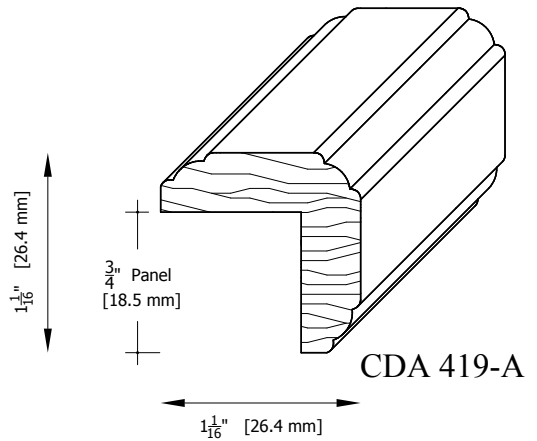
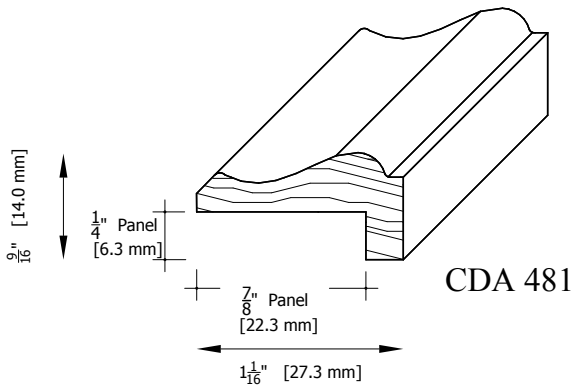
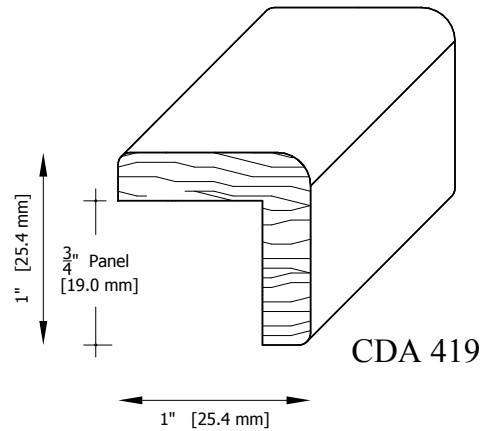
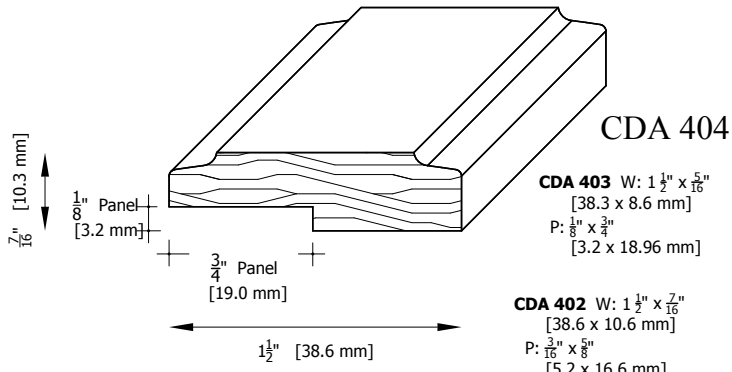
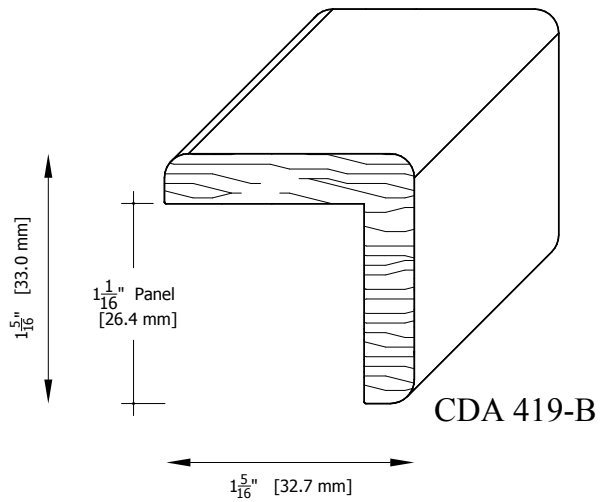
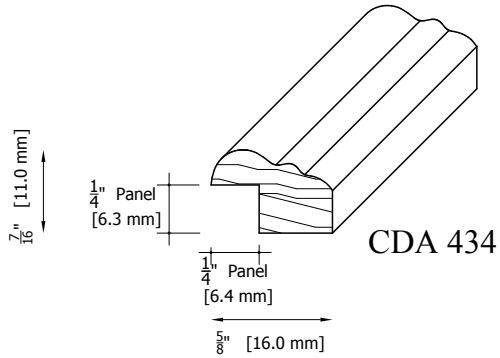
DRM CAPS MOULDING PATTERNS



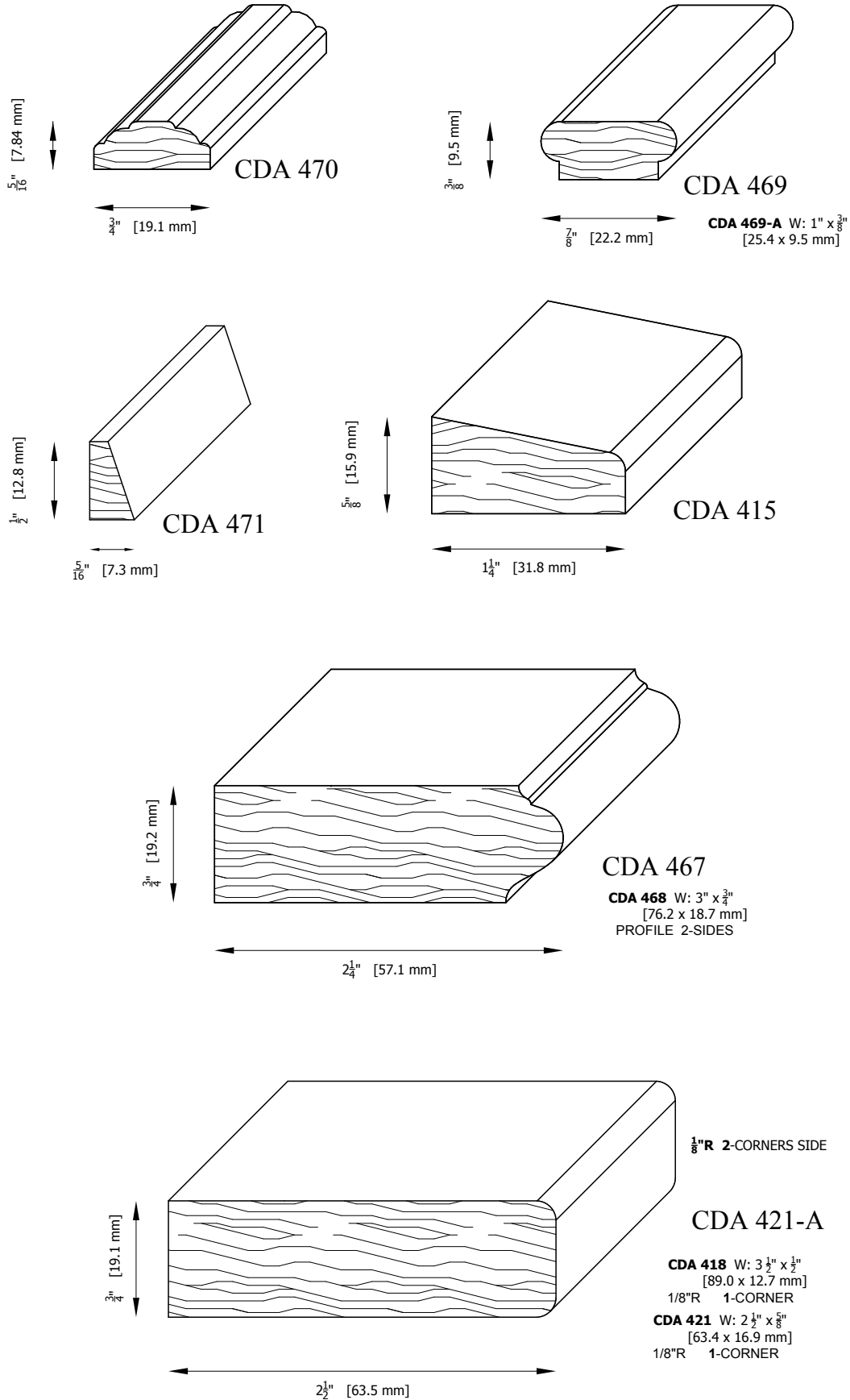
DRM CAPS MOULDING PATTERNS



DRM CAPS MOULDING PATTERNS



DRM CAPS MOULDING PATTERNS



DRM CAPS MOULDING PATTERNS

